
Pneudraulics

www.pneudraulics.com

PNEUDRAULICS, INC.

Systemes et composants hydrauliques, reservoirs, vannes

PneuDraulics équipe l'industrie aéronautique depuis plus de 54 ans en composants hydrauliques de précision tel que vérins, blocs hydrauliques, fusibles hydrauliques, manifolds, réservoirs, électrovannes, valves solénoïdes, et autres produits spéciaux conçus pour satisfaire aux demandes uniques de chaque client.

Les composants **PneuDraulics** sont fabriqués pour des applications jusqu'à 5000 psi et sont utilisés à travers le monde sur des avions militaires et civils, hélicoptères et vaisseaux spatiaux.



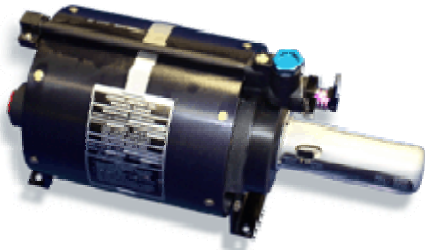
Hydraulic System Components and Sub-Systems

PneuDraulics, Inc. has been supplying the aerospace industry with high quality hydraulic system components for over 54 years such as actuators, manifolds, reservoirs, accumulators, solenoid valves, priority valves, shuttle valves, fuses, relief valves, pressure reducing valves and various other custom designed components to meet unique customer requirements.

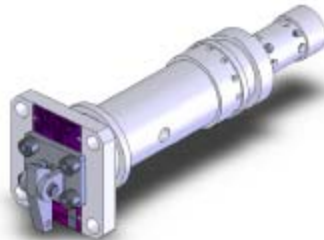
PneuDraulics' hydraulic system components capable of meeting the latest 5000 PSI system requirements and are used worldwide on military, commercial and commuter aircraft as well as on helicopters, business jets and spacecraft.

Pneudraulics

Réservoir
Reservoir



Cartouche de fusible hydraulique
Hydraulic Fuse Cartridge



6439 HYDRAULIC FUSE CARTRIDGE

Hydromechanical device that shuts fluid flow off when a brake line fails.

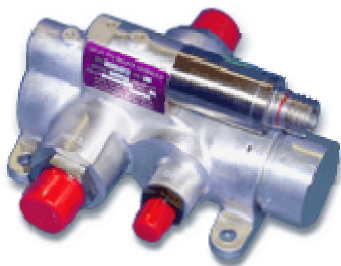
Valve
Valve



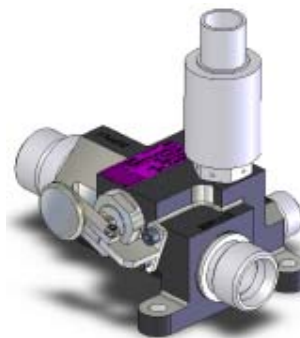
2677 HYDRAULIC SYSTEM RELIEF VALVE

Relieves high pressure in the main hydraulic system.

Valve solénoïde
Solenoid valve

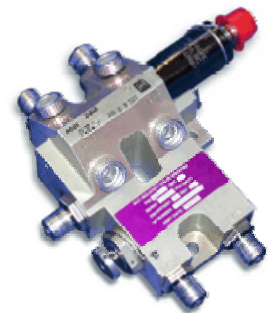


Manifolds
Manifolds



8265 ACCUMULATOR MANIFOLD

Manifold which allows multiple pressure sources to supply the brake. Includes a thermal relief cartridge to prevent overpressurization.

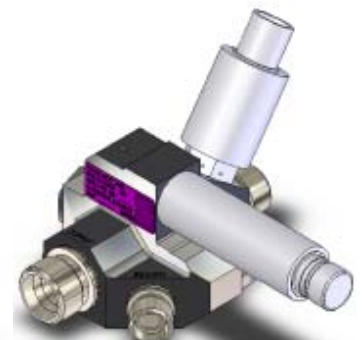


Vérin hydraulique
Actuator



9636 HEAT EXCHANGER BYPASS VALVE

A thermal and differential pressure operated valve that regulates hydraulic flow to the heat exchanger. Includes a function to bypass the heat exchanger when it is contaminated.



8263 BRAKE SELECT VALVE

Solenoid operated valve which ports hydraulic pressure to supply the Main Landing Gear brakes.

Valves
Valves